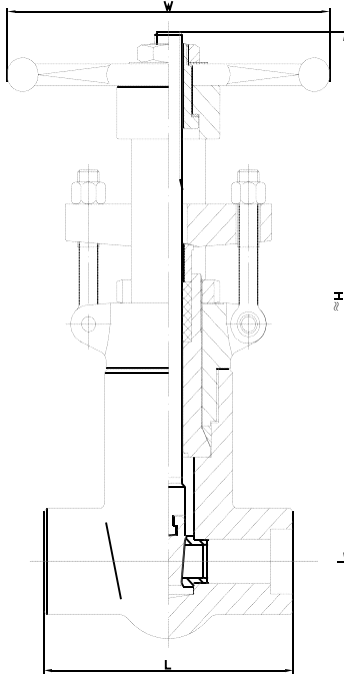




# Pressure Sealed Valve

## Gate Valve 1500LB



Design and Manufacturing: ASME B16.34, API602

Construction Type: PS, OS&Y

Construction Length: MFR'S STD SW/NPT  
ASME B16.10 BW/FLG

End Connection: ASME B16.11 SW  
ASME B1.20.1 NPT  
ASME B16.5 RF/RTJ  
ASME B16.25 BW

Body Material: ASTM A105  
ASTMA182-F11/F12/F22/F5/F91  
ASTMA182-F304/F304L/F316/F316L  
ASTMA182-F321/F321H

Inspection and Testing: API598

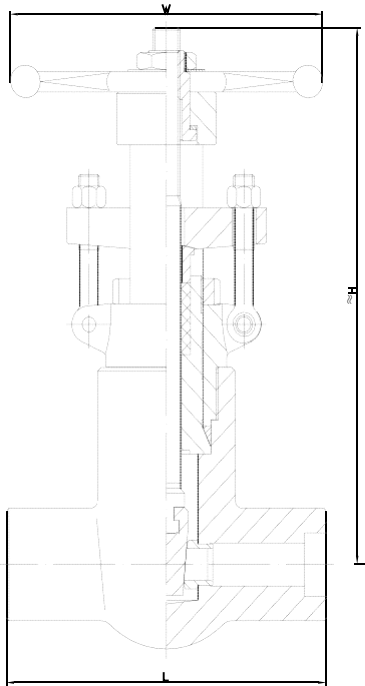
Marking: MSS SP25

NPS		1/2	3/4	1	1-1/4	1-1/2	2
DN		15	20	25	32	40	50
L (mm)	SW/NPT	140	140	140	178	178	216
	BW/FLG	216	229	254	279	305	368
H/open(mm)		295	299	299	406	414	498
W (mm)		160	160	160	235	235	300
Weight (kg)	SW/NPT	11.2	10.5	10.1	21.0	19.6	40.4
	BW	12.5	11.8	11.5	23.4	21.7	43.5
	FLG	15.5	16.9	18.9	35.0	34.3	52.8



# Pressure Sealed Valve

## Gate Valve 2500LB



Design and Manufacturing: ASME B16.34, API602

Construction Type: PS, OS&Y

Construction Length: MFR'S STD SW/NPT  
ASME B16.10 BW/FLG

End Connection: ASME B16.11 SW  
ASME B1.20.1 NPT  
ASME B16.5 RTJ  
ASME B16.25 BW

Body Material: ASTM A105  
ASTMA182-F11/F12/F22/F5/F91  
ASTMA182-F304/F304L/F316/F316L  
ASTMA182-F321/F321H

Inspection and Testing: API598

Marking: MSS SP25

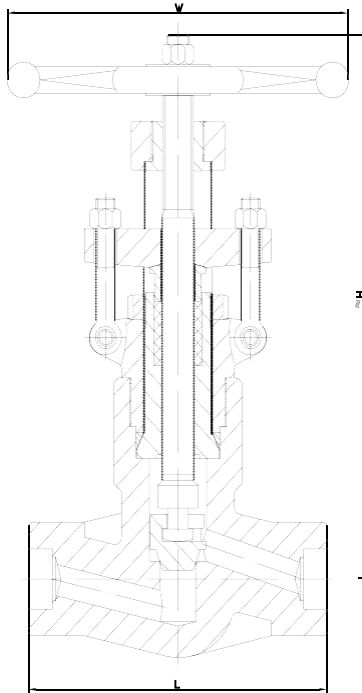
NPS		1/2	3/4	1	1-1/4	1-1/2	2
DN		15	20	25	32	40	50
L (mm)	SW/NPT	186	186	186	232	232	279
	BW/FLG	264	273	308	349	384	451
H/open(mm)		304	307	307	406	414	504
W (mm)		180	180	180	235	235	300
Weight (kg)	SW/NPT	12.3	11.6	10.8	28.0	26.4	43.8
	BW	13.3	12.5	11.8	30.0	28.7	47.2
	FLG	18.0	20.5	23.0	46.0	45.0	81.5



YAAO VALVE

## Pressure Sealed Valve

### Globe Valve 1500LB



Design and Manufacturing: ASME B16.34, API602

Construction Type: PS, OS&Y

Construction Length: MFR'S STD SW/NPT  
ASME B16.10 BW/FLG

End Connection: ASME B16.11 SW  
ASME B1.20.1 NPT  
ASME B16.5 RF/RTJ  
ASME B16.25 BW

Body Material: ASTM A105  
ASTMA182-F11/F12/F22/F5/F91  
ASTMA182-F304/F304L/F316/F316L  
ASTMA182-F321/F321H

Inspection and Testing: API598

Marking: MSS SP25

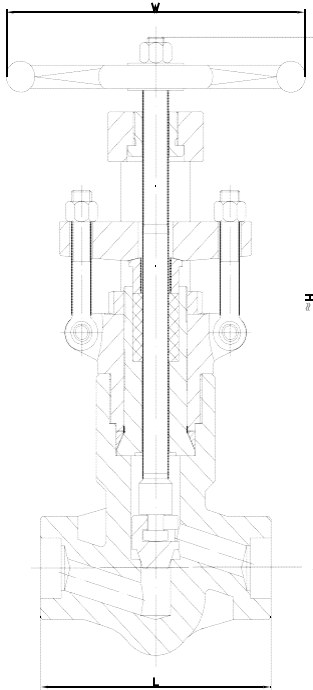
NPS		1/2	3/4	1	1-1/4	1-1/2	2
DN		15	20	25	32	40	50
L (mm)	SW/NPT	140	140	140	178	178	216
	BW/FLG	216	229	254	279	305	368
H/open(mm)		315	315	315	389	389	492
W (mm)		160	160	160	235	235	300
Weight (kg)	SW/NPT	11.2	10.5	10.1	21.0	19.6	40.4
	BW	12.5	11.8	11.5	23.4	21.7	43.5
	FLG	15.5	16.9	18.9	35.0	34.3	52.8



YAAO VALVE

## Pressure Sealed Valve

### Globe Valve 2500LB



Design and Manufacturing: ASME B16.34, API602

Construction Type: PS, OS&Y

Construction Length: MFR'S STD SW/NPT  
ASME B16.10 BW/FLG

End Connection: ASME B16.11 SW  
ASME B1.20.1 NPT  
ASME B16.5 RTJ  
ASME B16.25 BW

Body Material: ASTM A105  
ASTMA182-F11/F12/F22/F5/F91  
ASTMA182-F304/F304L/F316/F316L  
ASTMA182-F321/F321H

Inspection and Testing: API598

Marking: MSS SP25

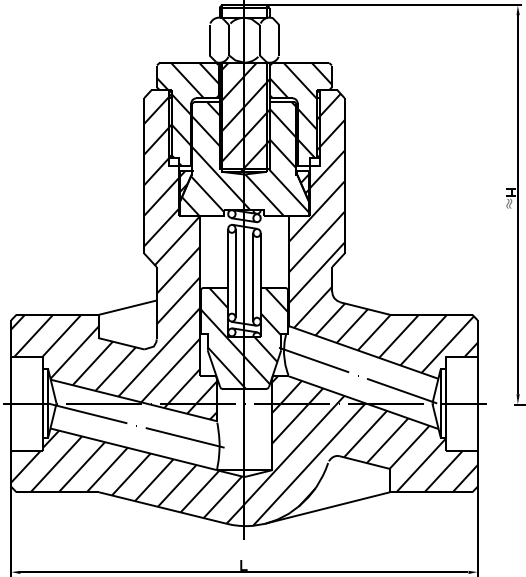
NPS		1/2	3/4	1	1-1/4	1-1/2	2
DN		15	20	25	32	40	50
L (mm)	SW/NPT	186	186	186	232	232	279
	BW/FLG	264	273	308	349	384	451
H/open(mm)		328	328	328	410	410	492
W (mm)		180	180	180	235	235	300
Weight (kg)	SW/NPT	12.3	11.6	10.8	28.0	26.4	43.8
	BW	13.3	12.5	11.8	30.0	28.7	47.2
	FLG	18.0	20.5	23.0	46.0	45.0	81.5



YAAO VALVE

## Pressure Sealed Valve

### Check Valve 1500LB



Design and Manufacturing: ASME B16.34, API602

Construction Type: PS, Lift type

Construction Length: MFR'S STD SW/NPT

ASME B16.10 BW/FLG

End Connection: ASME B16.11 SW

ASME B1.20.1 NPT

ASME B16.5 RF/RTJ

ASME B16.25 BW

Body Material: ASTM A105

ASTMA182-F11/F12/F22/F5/F91

ASTMA182-F304/F304L/F316/F316L

ASTMA182-F321/F321H

Inspection and Testing: API598

Marking: MSS SP25

NPS		1/2	3/4	1	1-1/4	1-1/2	2
DN		15	20	25	32	40	50
L (mm)	SW/NPT	140	140	140	178	178	216
	BW/FLG	216	229	254	279	305	368
H(mm)		140	140	140	171	171	228
Weight (kg)	SW/NPT	7.0	6.5	6.5	14.0	14.0	20.0
	BW	7.5	7.0	7.0	15.5	15.0	23.5
	FLG	10.5	11.9	13.9	27.0	26.9	32.5

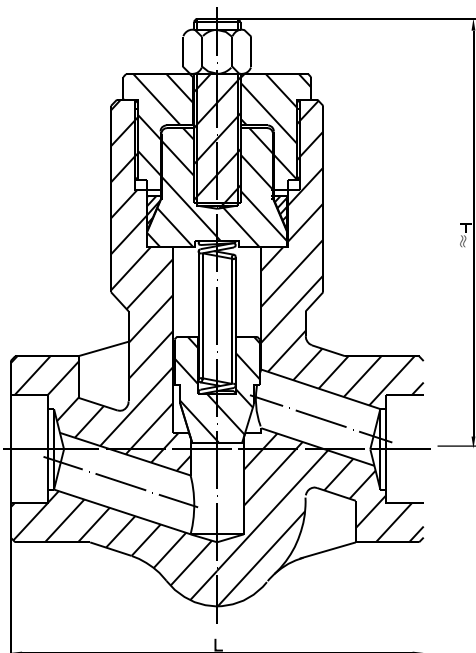
Learn more Valve products on <http://www.yaavalve.com>

Copyright:Shanghai Yaa Valve Co., Ltd.



# Pressure Sealed Valve

## Check Valve 2500LB



Design and Manufacturing: ASME B16.34, API602

Construction Type: PS, Lift type

Construction Length: MFR'S STD SW/NPT  
ASME B16.10 BW/FLG

End Connection: ASME B16.11 SW  
ASME B1.20.1 NPT  
ASME B16.5 RTJ  
ASME B16.25 BW

Body Material: ASTM A105  
ASTMA182-F11/F12/F22/F5/F91  
ASTMA182-F304/F304L/F316/F316L  
ASTMA182-F321/F321H

Inspection and Testing: API598

Marking: MSS SP25

NPS		1/2	3/4	1	1-1/4	1-1/2	2
DN		15	20	25	32	40	50
L (mm)	SW/NPT	186	186	186	232	232	279
	BW/FLG	264	273	308	349	384	451
H(mm)		153	153	153	198	198	228
Weight (kg)	SW/NPT	7.5	6.5	5.5	12.0	12.0	28.0
	BW	8.0	7.0	6.0	14.0	14.0	31.0
	FLG	12.6	14.9	16.5	30.0	30.0	65.0